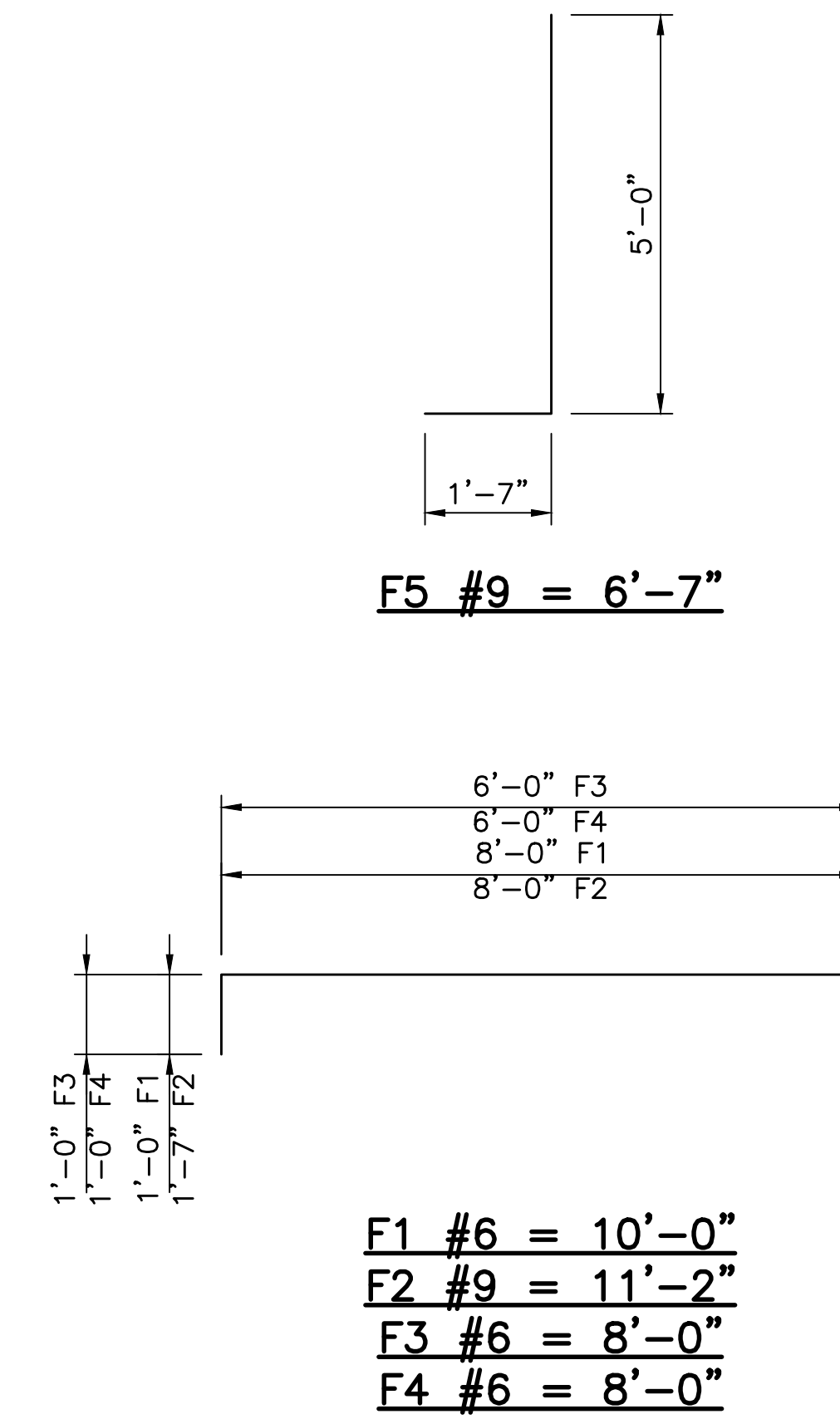
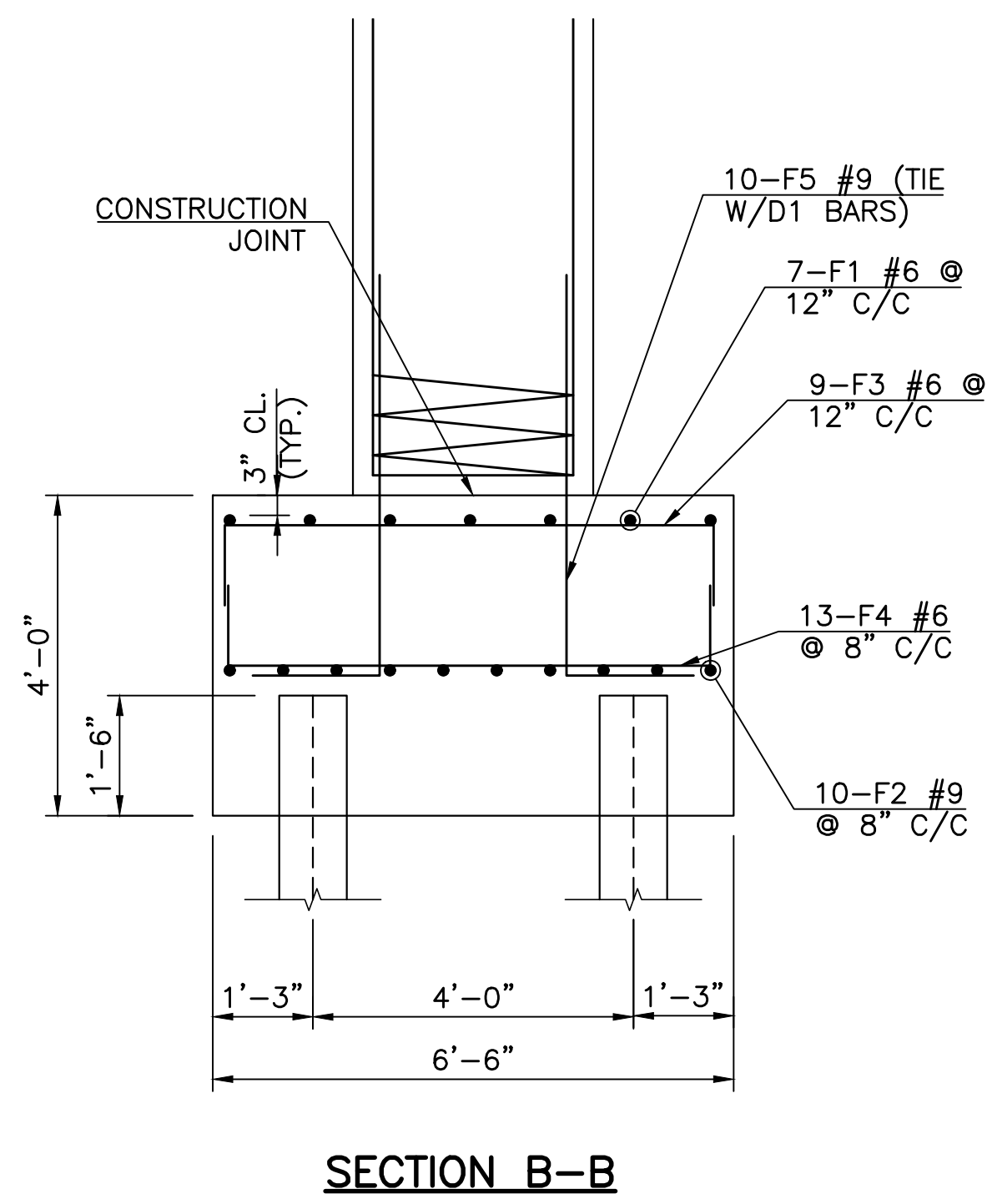
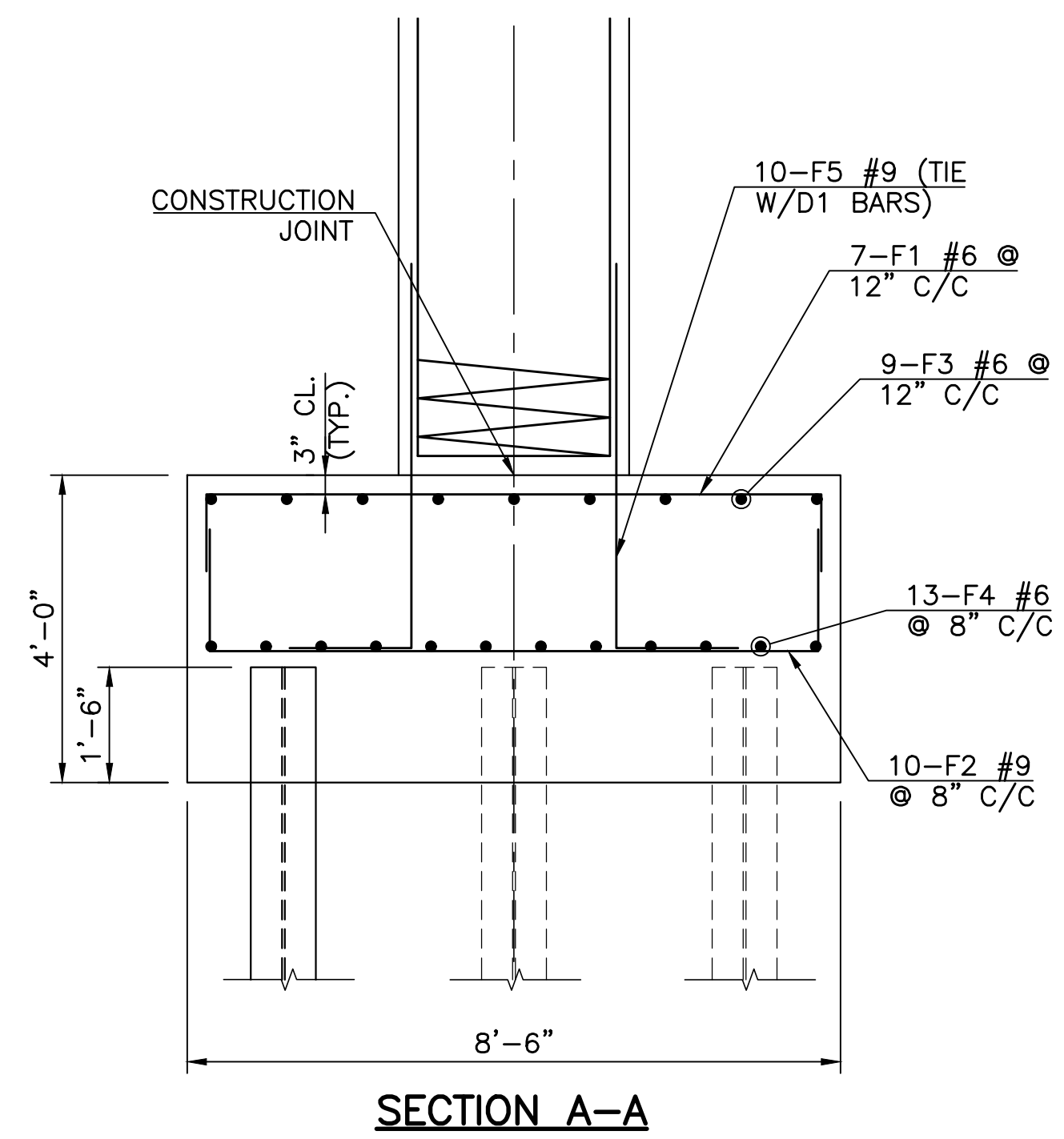
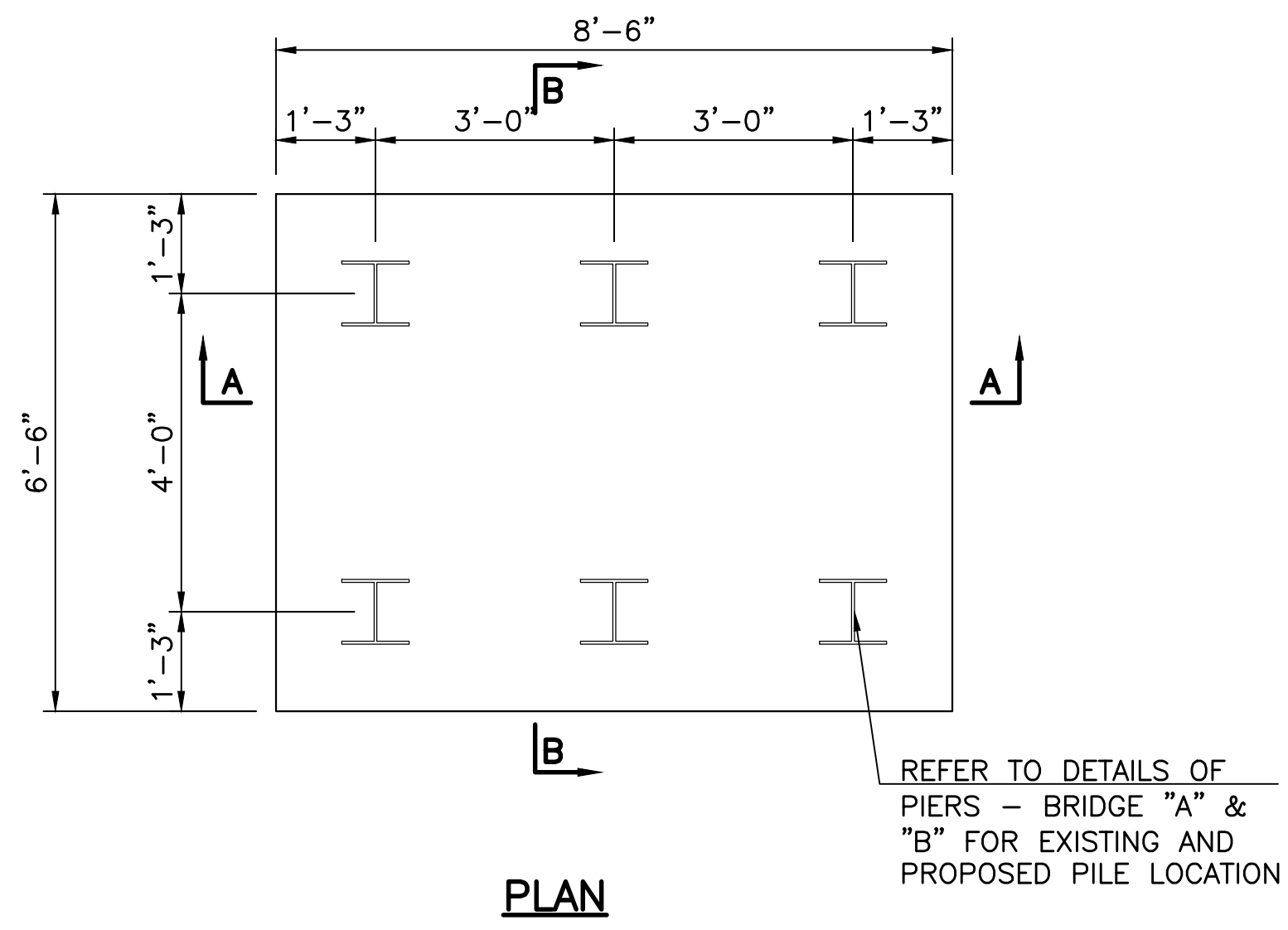


REVISIONS		
REV. NO.	DESCRIPTION	DATE



NOTE:
CONTRACTOR SHALL COMPACT BACKFILL TO 95% STANDARD DENSITY WHEN BACKFILLING PIER FOOTINGS.

TULSA COUNTY US-64 OVER 97TH W. AVE.

DESIGN	MW	11/16
DRAWN	SDK	11/16
CHECKED	HRA	11/16
APPROVED		
WALTER P MOORE		

OKLAHOMA DEPARTMENT OF TRANSPORTATION

DETAILS OF PIER FOUNDATIONS

STATE JOB NO. 28884(04) SHEET NO. 47